

- o Flat Cable Connectors SEK
- o *har-mik®*
- o D-Sub
- o InduCom

Applications



Product details

09 20 016 2812

Female insert, Han 16 A

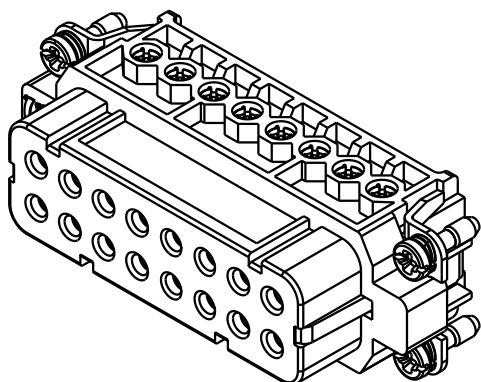
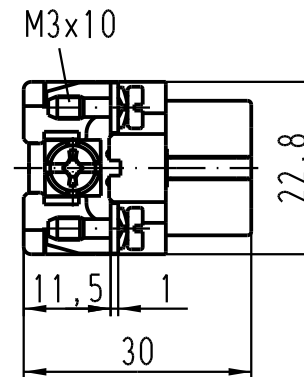
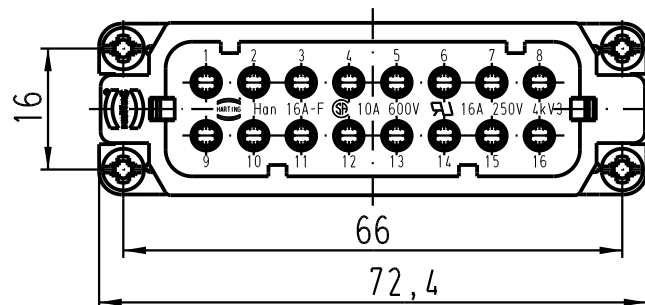
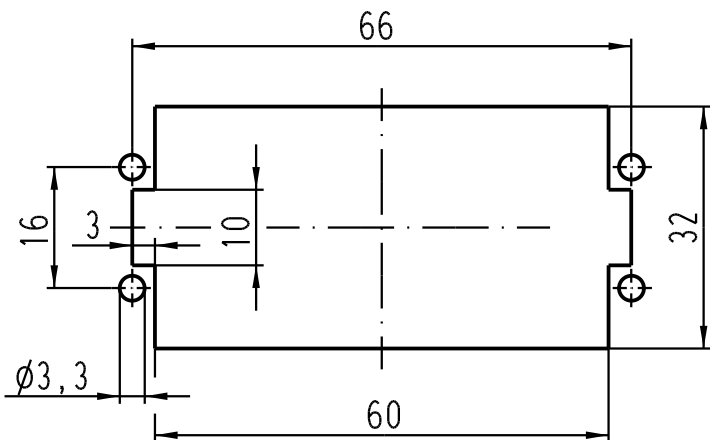
Series	Han A®
Number of contacts	16 poles + PE
Size of hood/ housing	Han® 16 A
Termination	Screw termination
Insert material	Standard material
Contacts	Inclusive
Electrical data	16 A 250 V 4 kV 3
RoHS compliant	Yes



Available Downloads

Title	Format	
Data sheet	PDF	↓ download
CAD data 2D	DXF	↓ download
CAD data 3D	IGES	↓ download

Inquiry

Montageausschnitt/
panel cut out



 All Dimensions in mm Original Size DIN A 4			Techn. Character.			Nicht tolerierte Masse / Free size tolerances		
Mod.	Dat.	Name	Dat.	Name	Masstab / Scale	Han 16A-F-s Buchseneinsatz / female insert TB 09 20 016 2812 Sub. TB 09 20 0.. 2812 v.11.01.96		
411720	25.07.05	Grie	Detail.	29.03.99	PL			1:1
411421	20.01.05	Loe.	Insp.		SDT			
410526	18.07.03	Ho	Stand.					
410069	22.05.02	Gö						
25622								
Mod. Dat. Name			HARTING Electric GmbH & Co. KG D-32339 Espelkamp					
						Blatt / page		